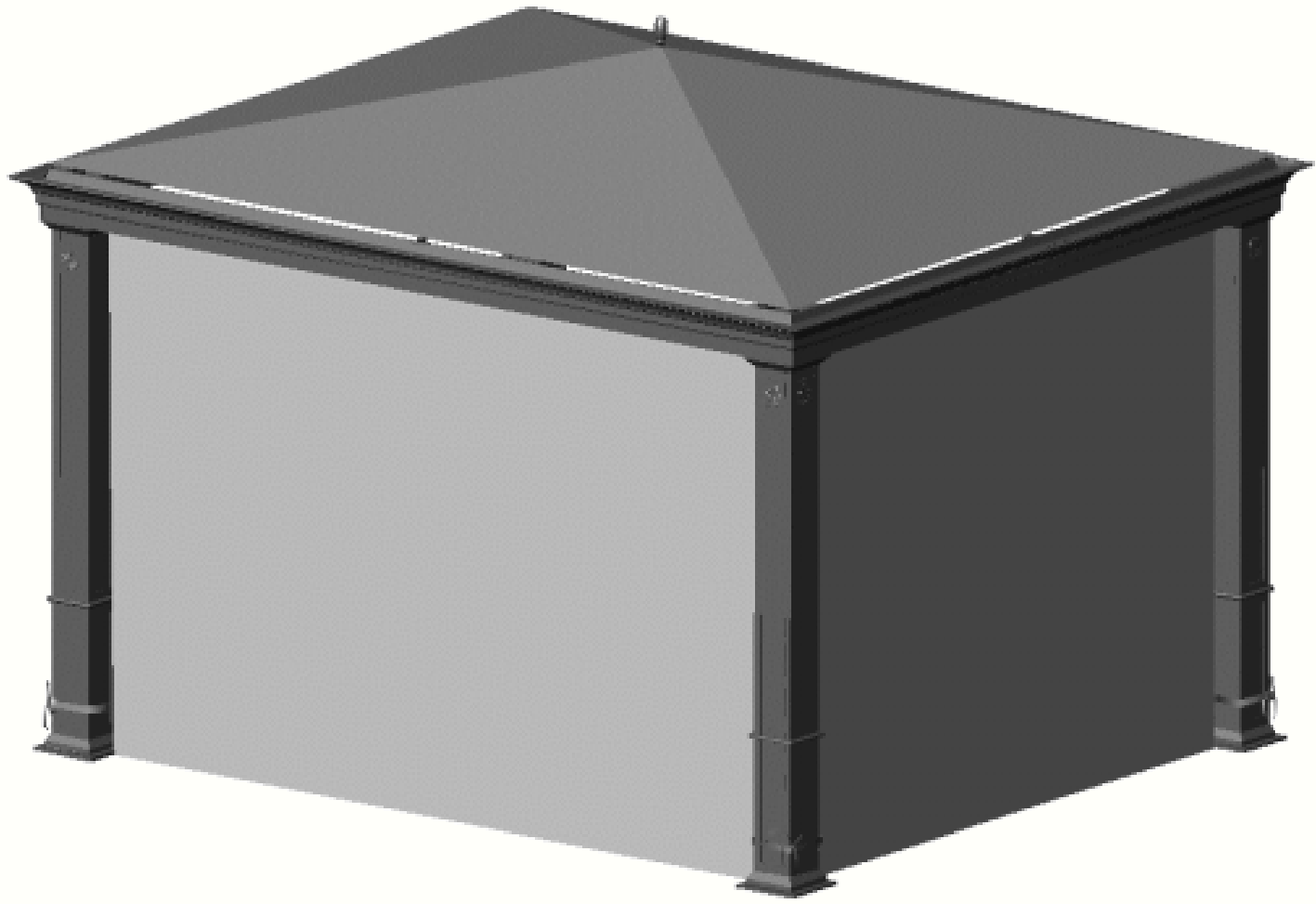


2005 and 2006  
Sean Conway Tiverton  
Gazebo

Style # G-GZ107PST-06  
DPCI # 009 05 0454



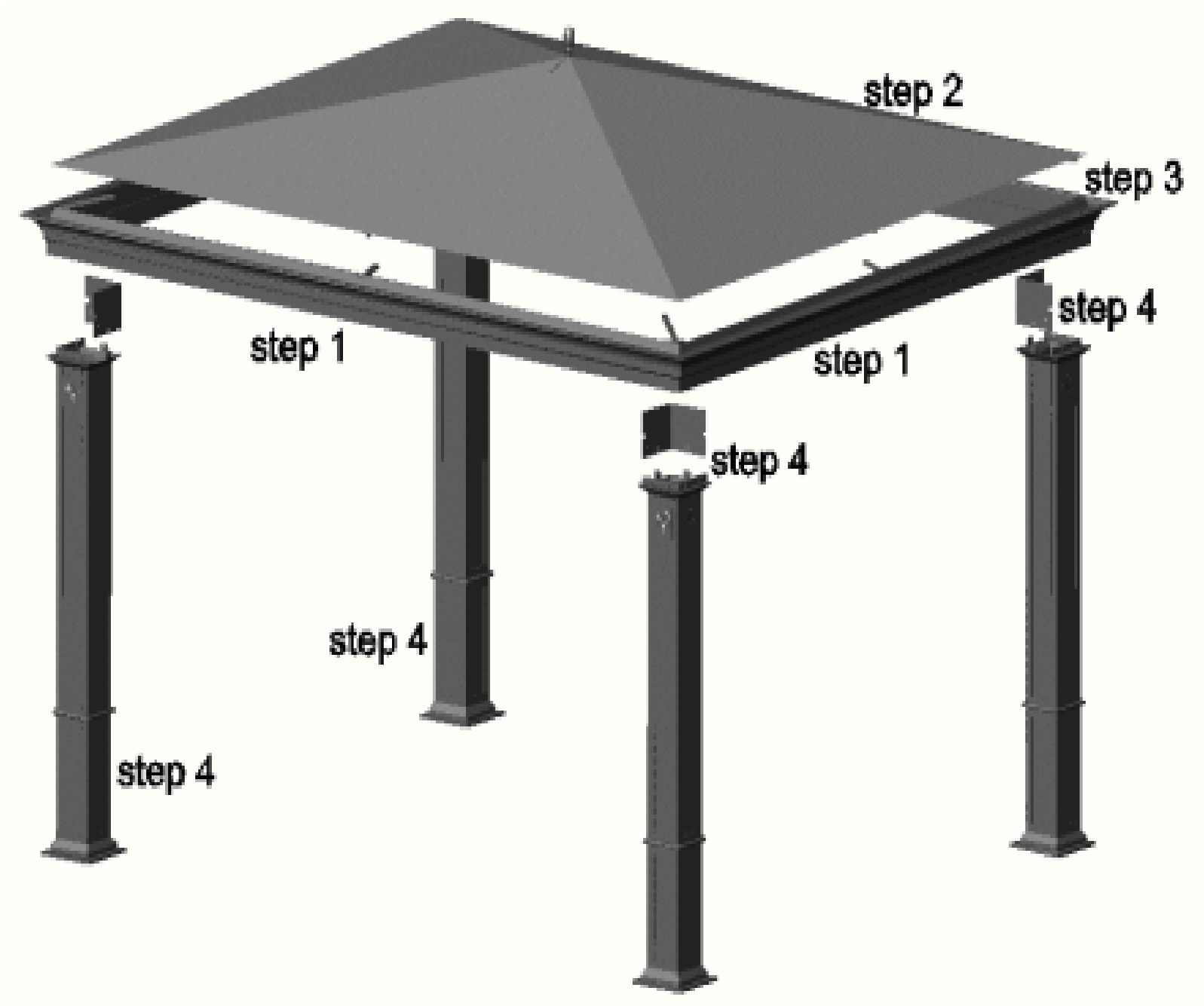
CONGRATULATIONS –.

Our clear, easy to follow, step by step instructions will guide you through the project from start to finish. Feel confident that this will be a fun and rewarding project. The final product will be a quality piece that will go together smoothly and give years of enjoyment.

All you will need is a philips screwdriver and a hammer.

# Item Identification

For ease of identification all parts are labeled to correspond to the Step number in which the part is used.



## **Parts List**

2 pieces 1A1 Left long frame

2 pieces 1A2 Right long frame

2 pieces 1B1 Short frame

2 pieces 1B2 Short frame

2 pieces 1C1 Right short top upper panel

2 pieces 1C2 Right short top lower panel

2 pieces 1D1 Left short top upper panel

2 pieces 1D2 Left short lower upper panel

4 pieces 1E Straight connector

4 pieces 1F U shape connector

4 pieces 1G top connector

4 pieces 1H 90° connector slip

2 pieces 1I Connector 1

2 pieces 1J Connector 2

4 pieces 1K 90° beam connector

1 piece 2A Finial

1 piece 2B Center Fitting

4 pieces 2C Beam(2080mm)

2 pieces 2D Beam(1478mm)

2 pieces 2E Beam(1755mm)

1 piece 2F Canopy

4 pieces 4A Column

4 pieces 4B Column roof cover

1 piece 4C Mosquito net

# Hardware Identification

For ease of identification all hardware is organized into separate Hardware packs.

## Hardware Pack 1

For step 1

8 pieces (AA) M6j Á 15mm screw  
(TBZ00306015HQ)



36 pieces (BB) M6j Á 15mm screw  
(TBZ00106015HQ)



28 pieces (CC) Big flat washer  
(TBZ10406HQ)



8 pieces (DD) M6j Á 25mm screw  
(TBZ00306025HQ)



40 pieces (TT) Mosquito Net Hook



2 pieces (WW) Wrench



## Hardware Pack 2

For step 4

24 pieces (AA) M6j Á 15mm screw  
(TBZ00306015HQ)









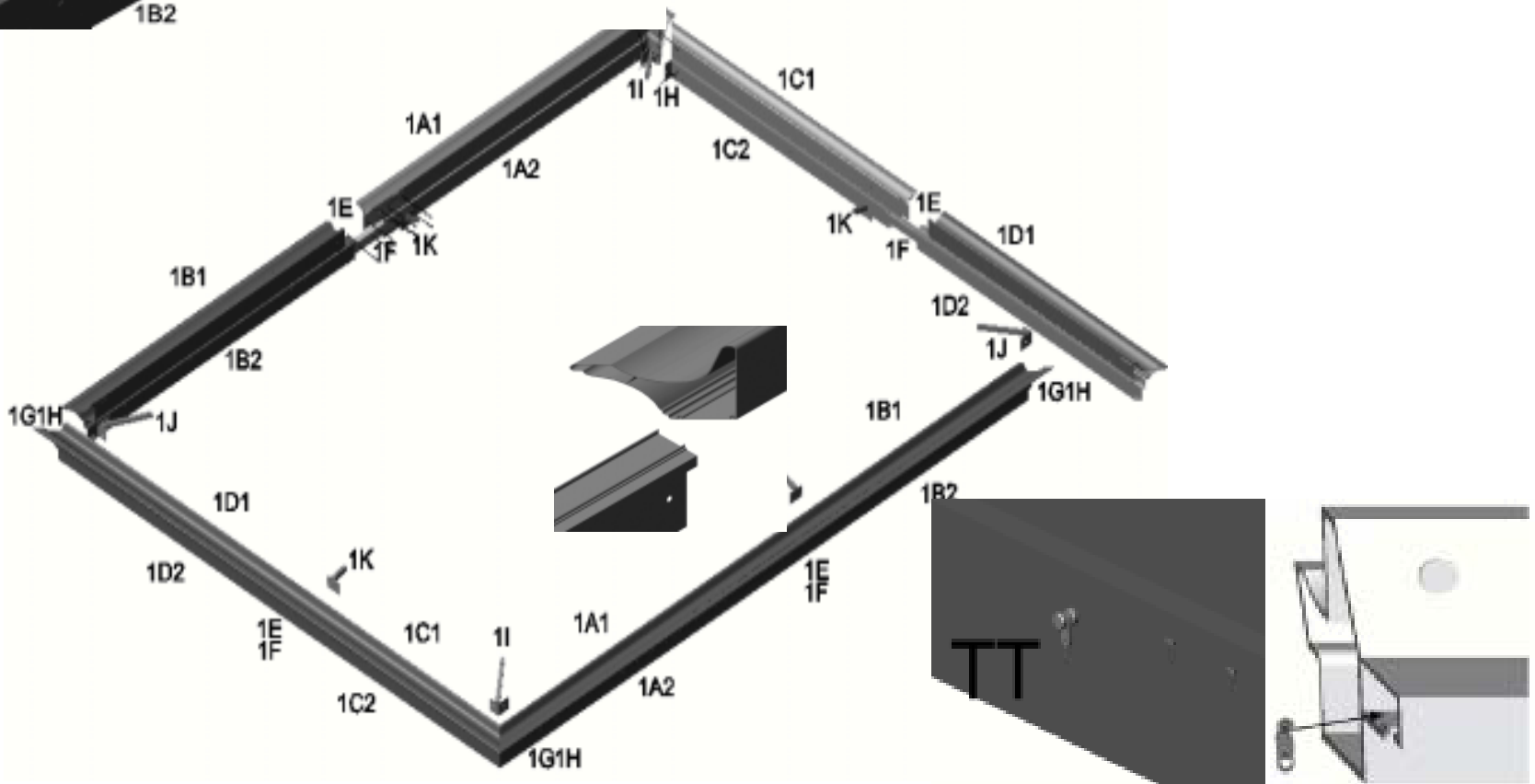
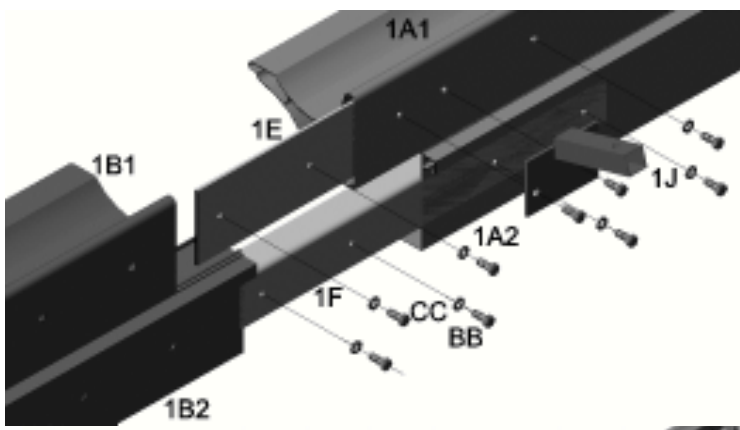
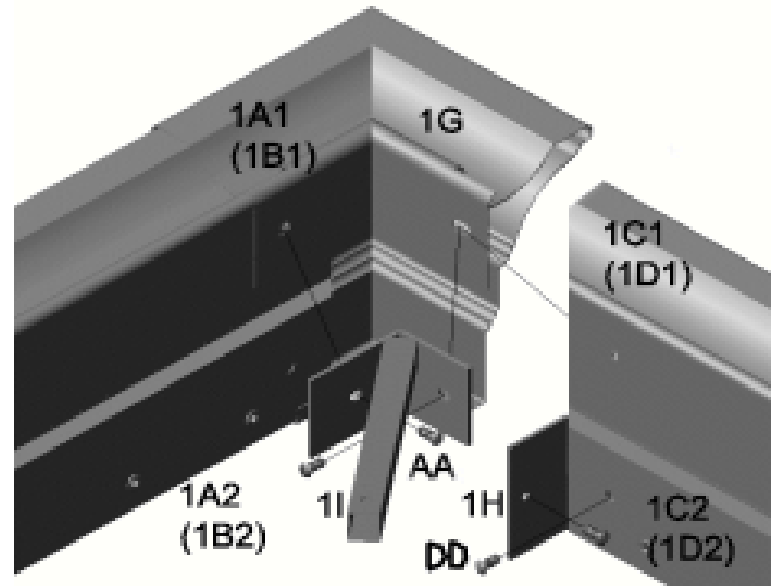
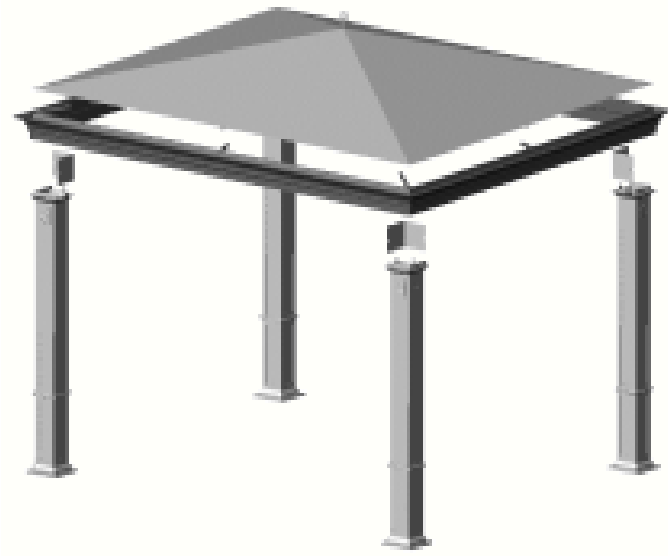
16 pieces (GG) Peg  
(TBZ10608180HQ)



# STEP #1

## Top Main Beam

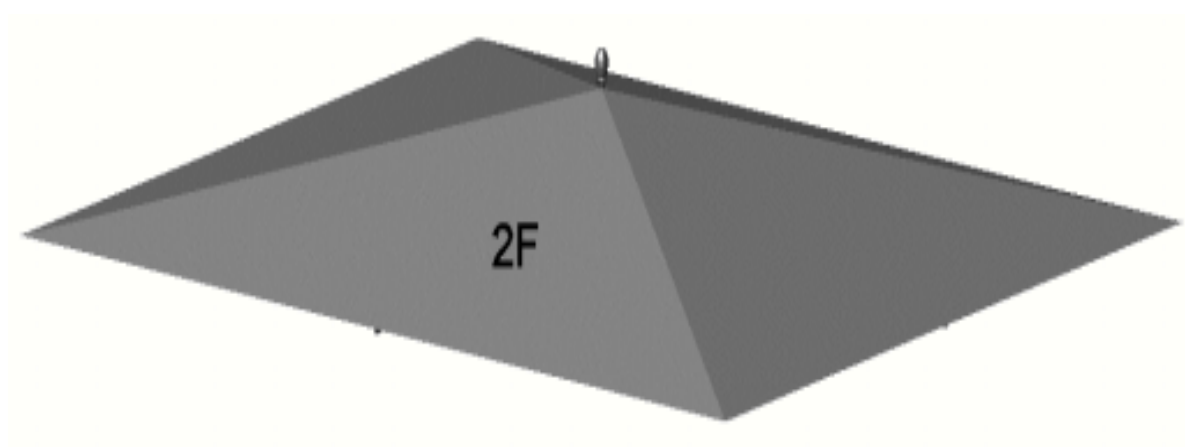
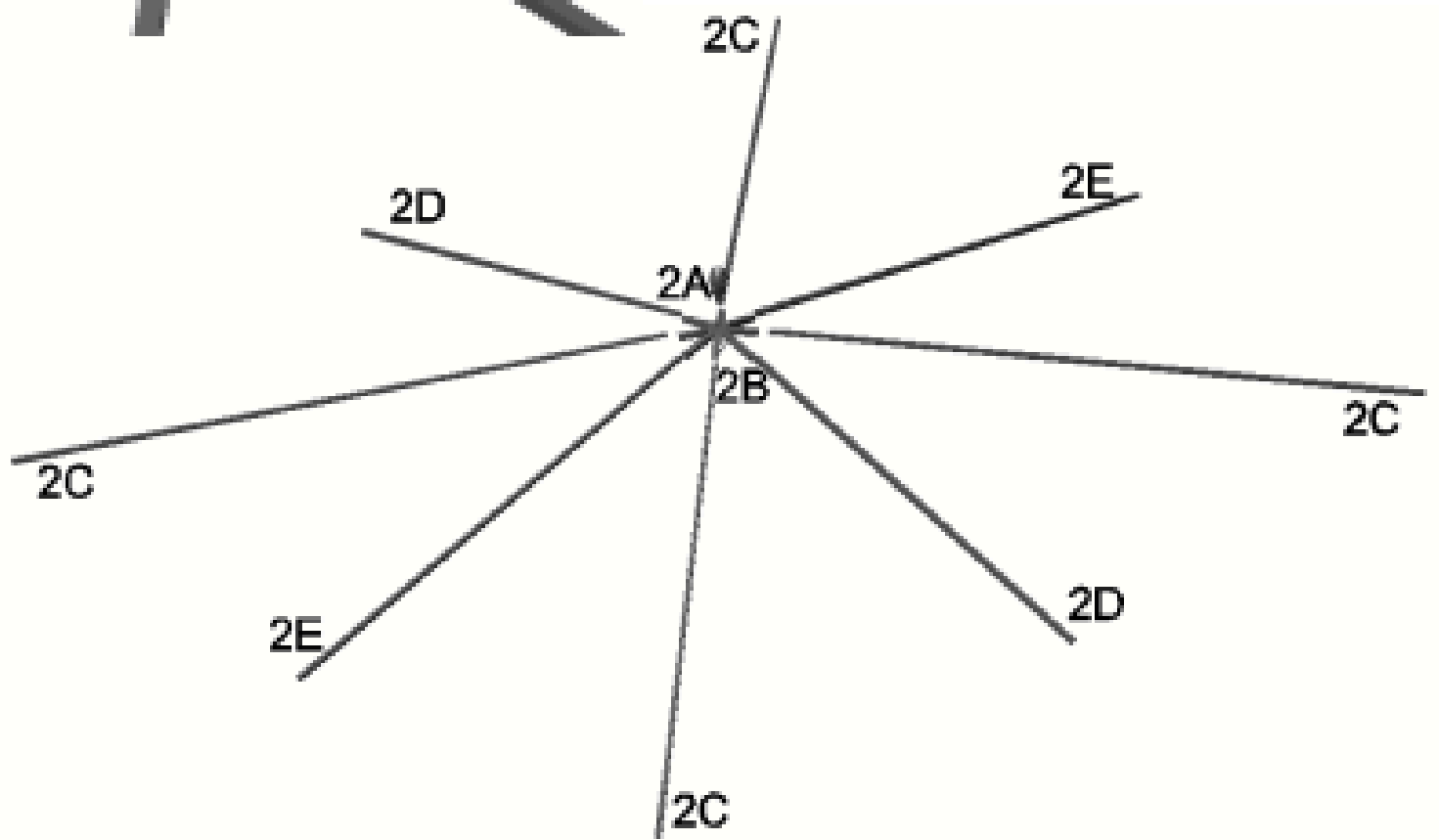
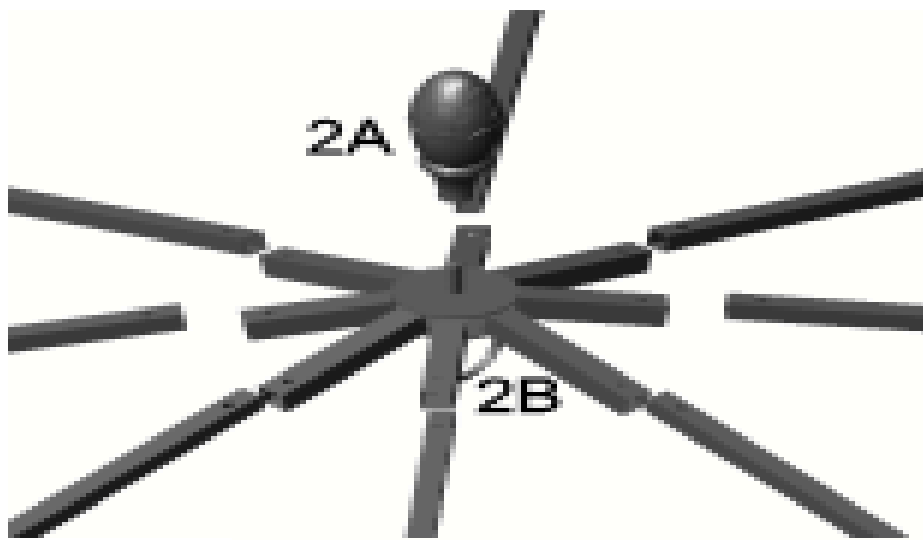
- (X8) AA 
- (X36) BB 
- (X28) CC 
- (X8) DD 
- (X40) TT 
- (X2) WW 



Align upper and lower frames and connect them. Hang the mosquito netting hook to the frames, 5 pieces in each frame. Align pre drilled holes and screw frames and beam connectors together.

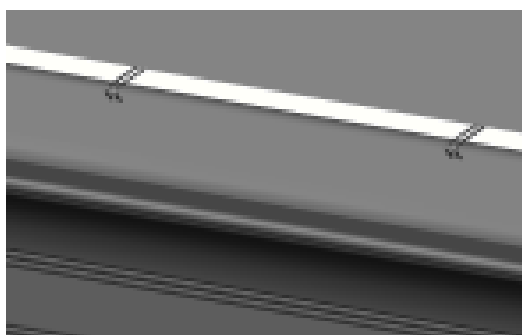
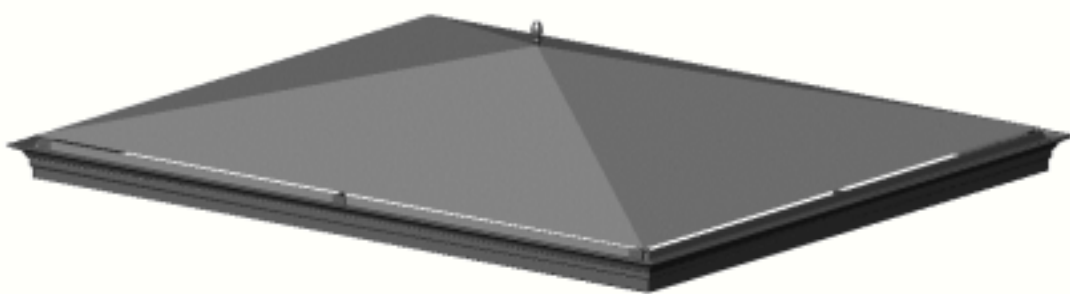
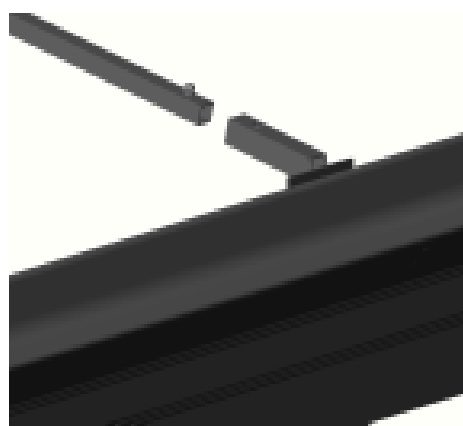
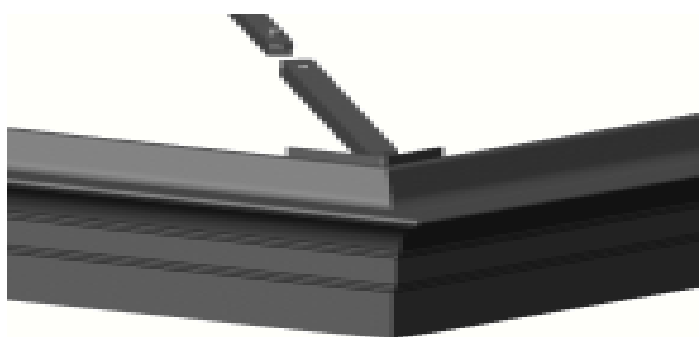
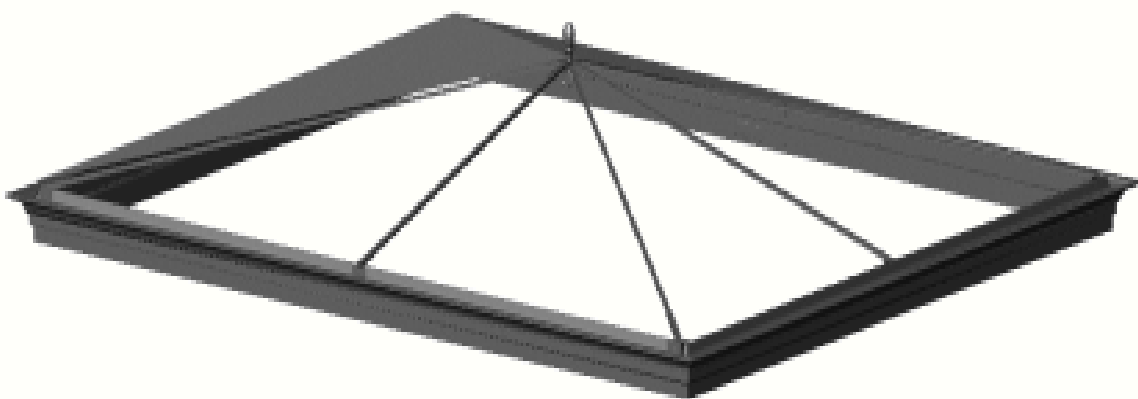
# SETP #2

## Top Beam



Insert the beams to the center fitting. Put the big canopy over the assembled top frame. Screw the finial.

# STEP #3



Insert the beams to the connectors. Draw the canopy, clasp the small hook to the holes in the frames.

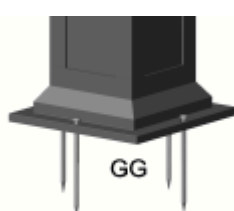
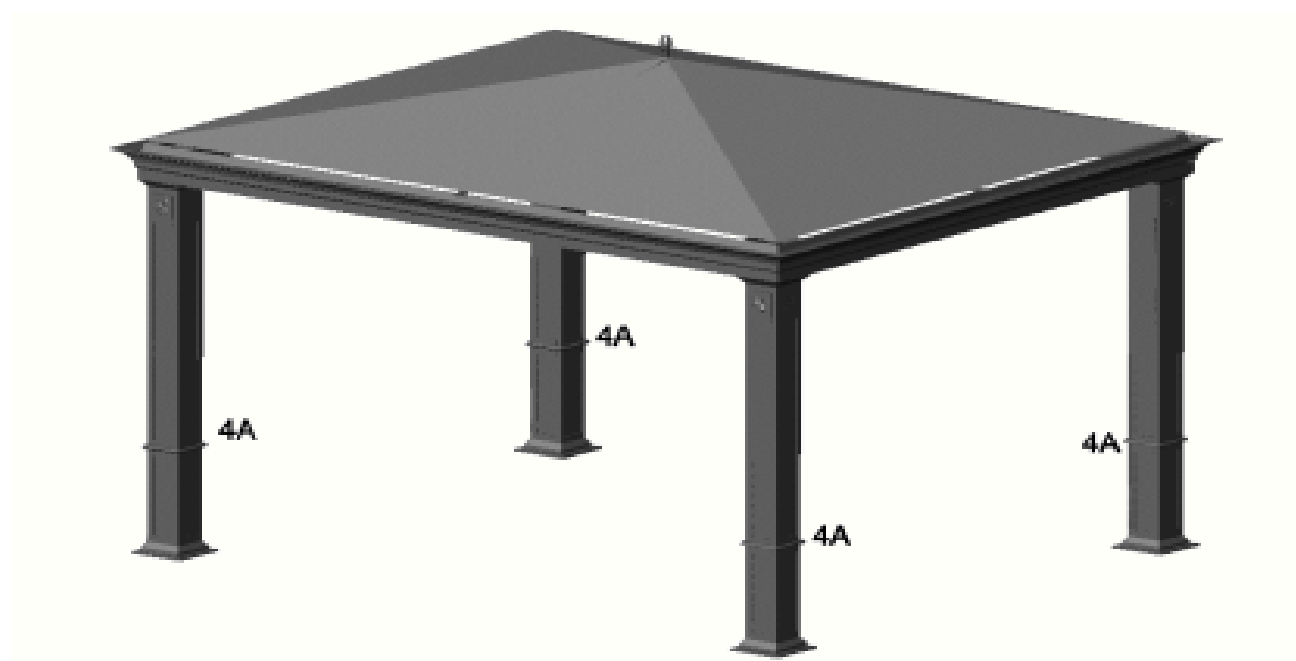
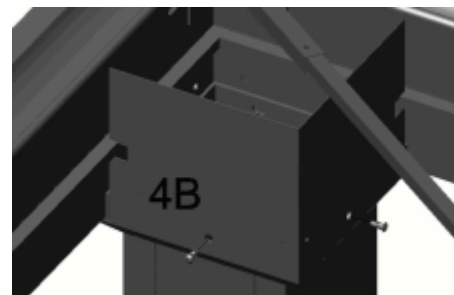
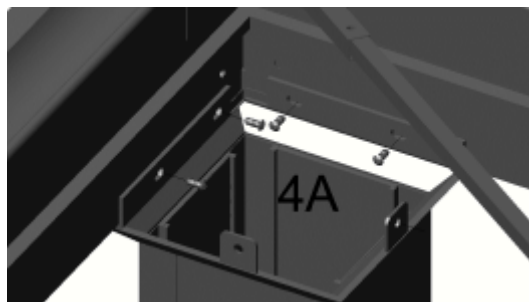
# SETP #4

Pegs

(X24) AA



(X16) GG



Arrange the 4 columns, place the top frame to it. Align pre drilled holes and screw frame, column and cover together. Hang the mosquito net and tie it to the four columns. Stake peg in ground.

## **WARNING**

1. When assembling and using this product, basic safety precautions should always be followed to reduce the risk of personal injury and damage to equipment. Please read all instructions before assembly and use.
2. Some parts may contain sharp edges, wear protective gloves if necessary. At least two or more people are recommended for safe assembly.
3. Keep all children and pets away from assembly area.
4. Begin assembly not less than 6 feet from any obstruction such as fence, garage, house, overhanging branches, laundry line or electrical wires.
5. Install on level ground. This gazebo cannot be permanently staked or attached to concrete floor or platform. This gazebo is intended for decorative and sunshade purposes only and is not meant to withstand inclement weather including high winds, rain and snow. Gazebo fabric is water resistant, not water proof and may leak during exposure to precipitation.
6. Check all nuts and bolts for tightness before and during usage.
7. Keep all flame and heat sources away from this gazebo. This gazebo is made with fabric and bamboo that meets cpai-84 specifications for flame resistance. It is not fire proof. The fabric will burn if left in continuous contact with any flame source. The application of any foreign substance to the gazebo fabric may render the flame-resistant properties ineffective.

Metal susceptible to rust. Before using clean the wrought iron stand completely with a soft dry towel. If rust develops, clean area by sanding slightly, then wipe thoroughly and apply touch-up paint (included)

## **WARNING: KEEP ALL FLAME AND HEAT SOURCES AWAY FROM THIS TENT FABRIC.**

This tent meets the flammability requirements of CPAI-84. The fabric may burn if left in continuous contact with any flame source. The application of any foreign substance to the tent fabric may render the flame-resistant properties ineffective.

**This unit is heavy. Do not assemble this item alone.**

